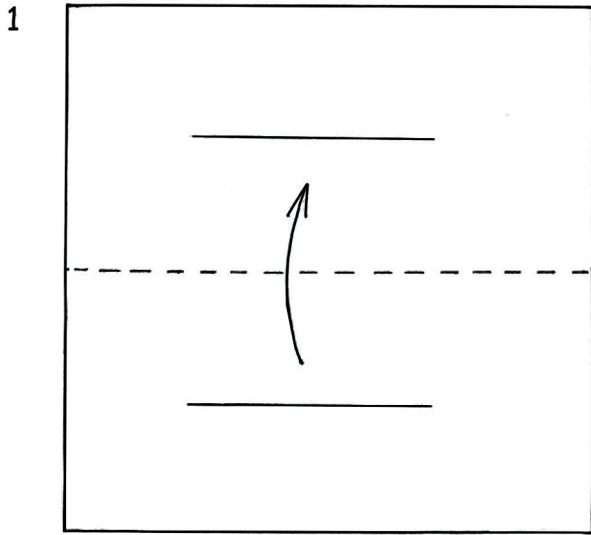
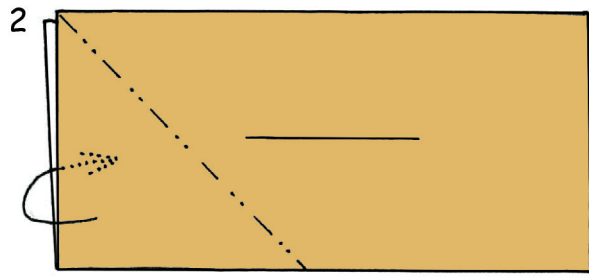


BUNNY

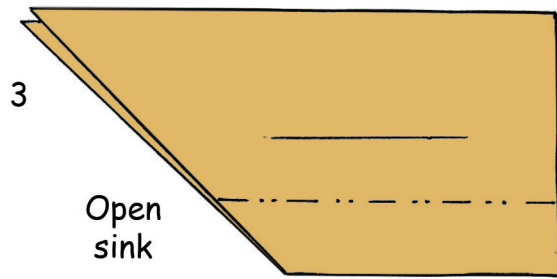
by Edwin Corrie



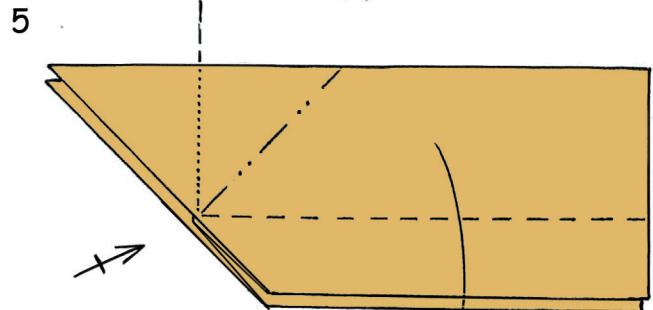
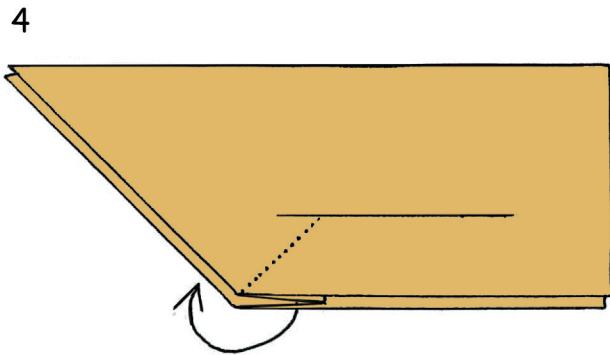
White side up



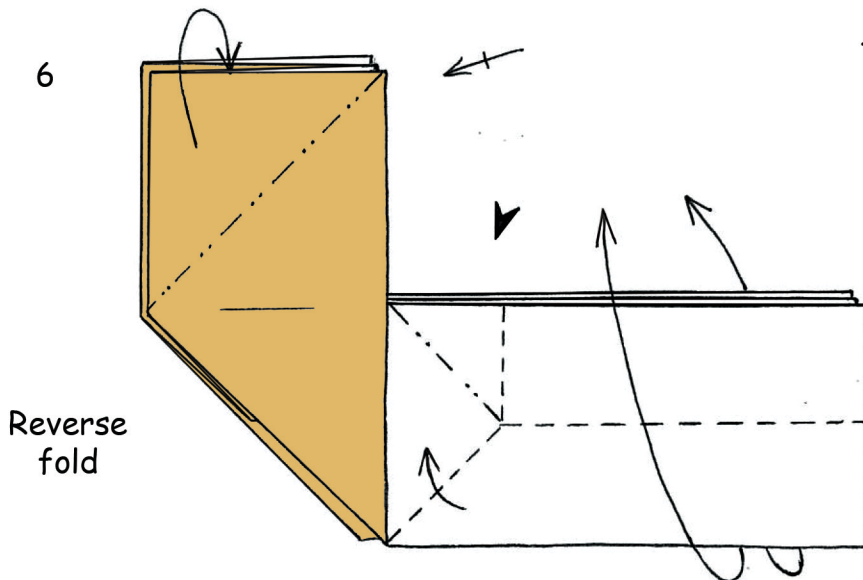
Reverse fold



Open sink



Swivel fold



Reverse fold



The layers on the right will look like this when complete

Collapse the right-hand section to form a kind of box pleat

