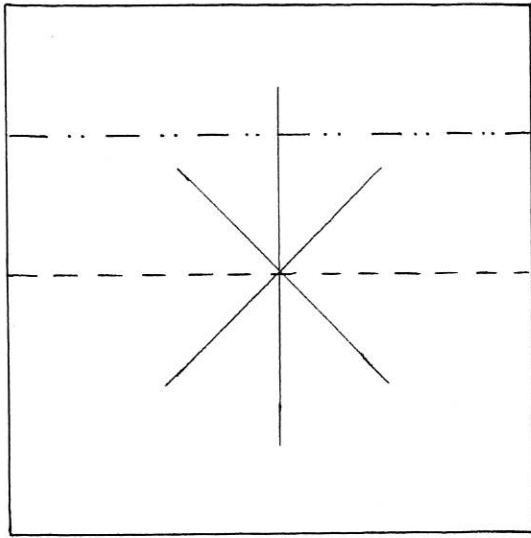


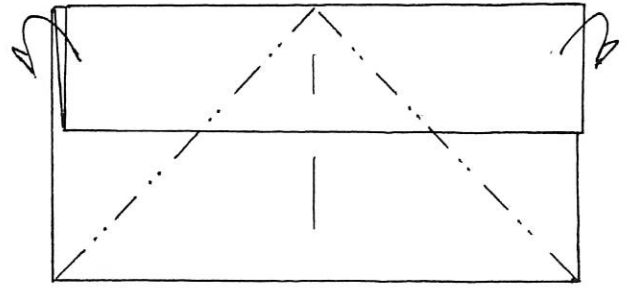
BUFFALO 2

Edwin
Corrie

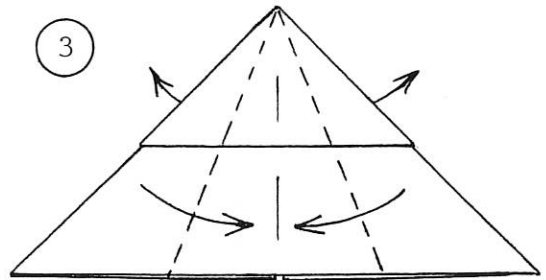
1



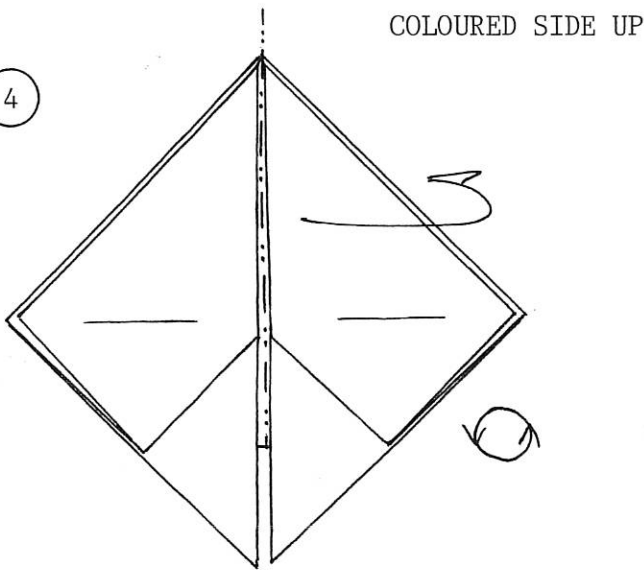
2



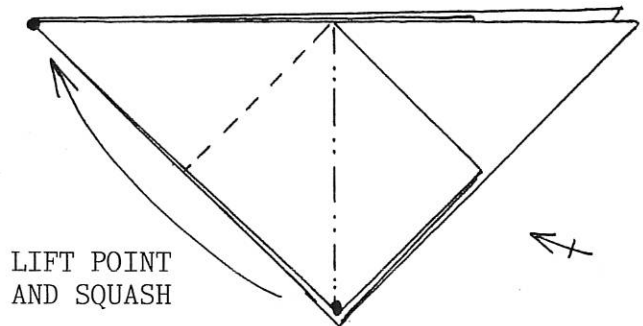
3



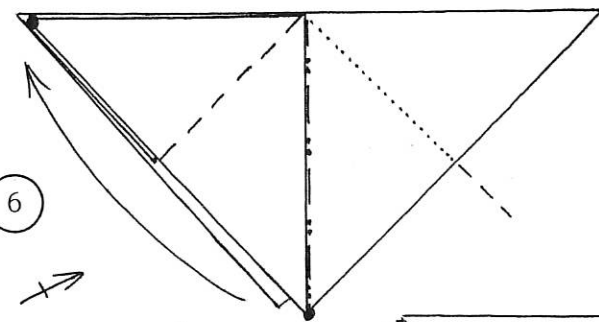
4



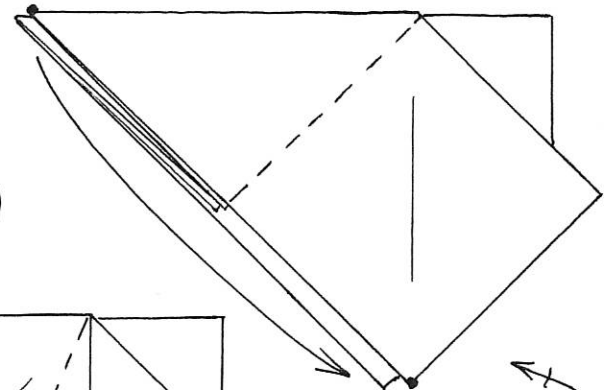
5



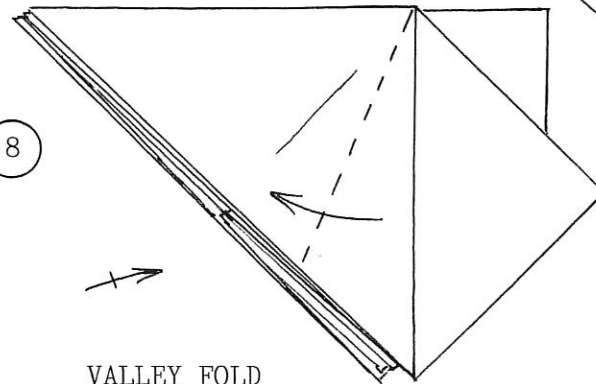
6



7

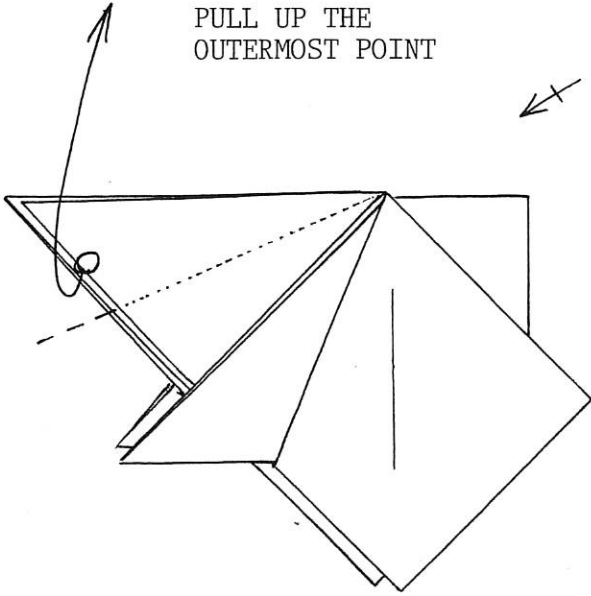


8

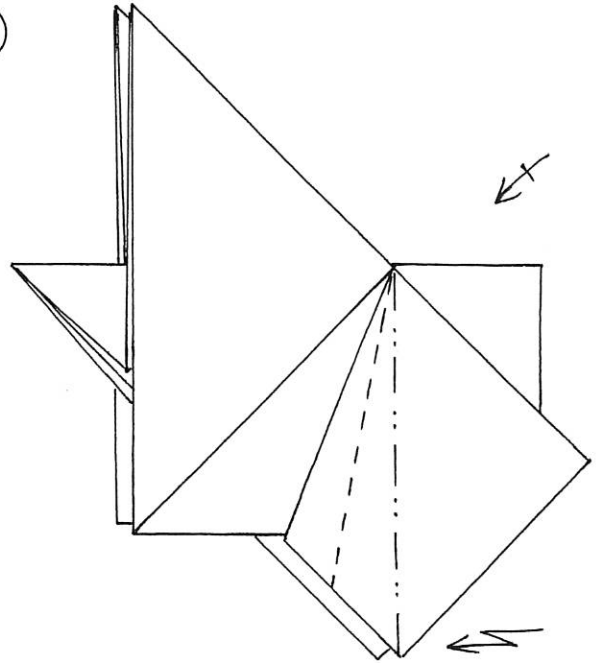


9

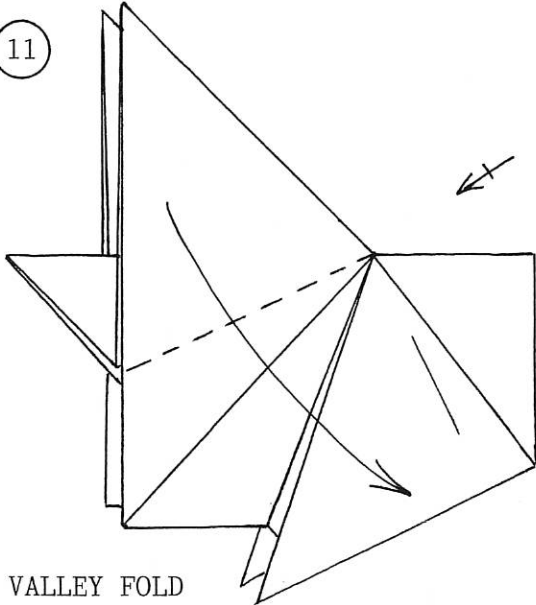
PULL UP THE
OUTERMOST POINT



10

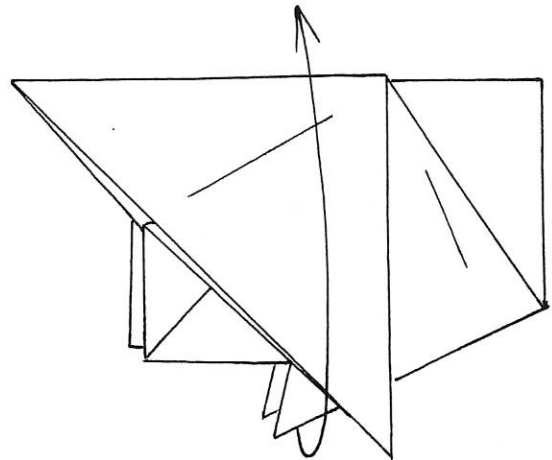


11



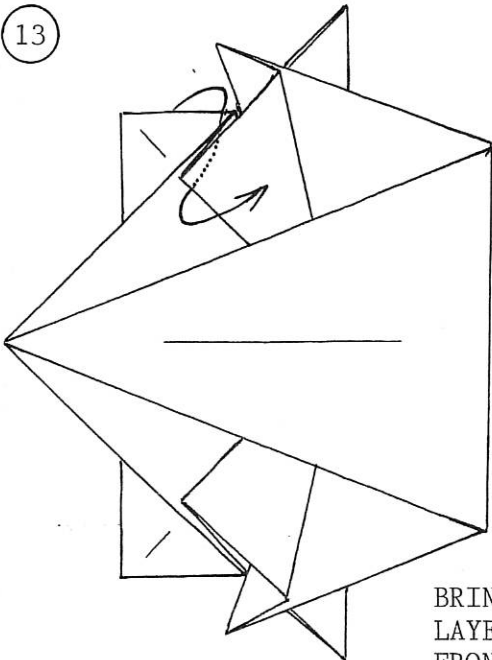
VALLEY FOLD

12



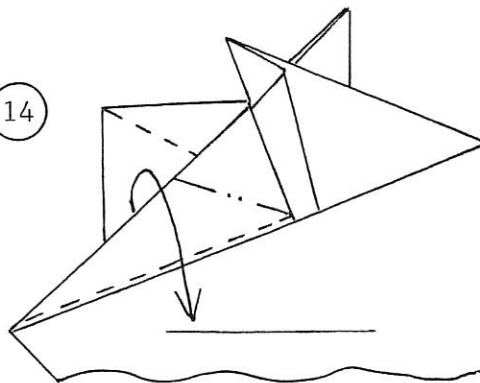
OPEN UP THE WHOLE
MODEL SO THAT IT
LIES FLAT

13



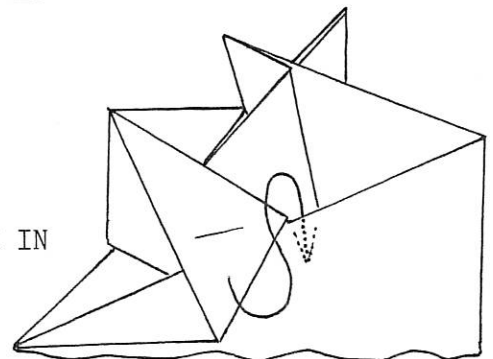
BRING HIDDEN
LAYER TO THE
FRONT

14

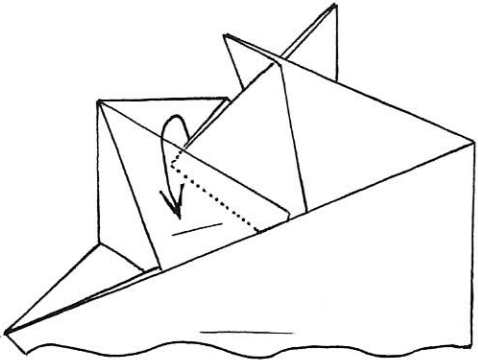


15

TUCK IN

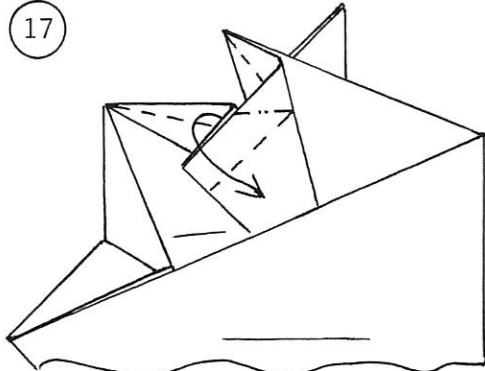


16



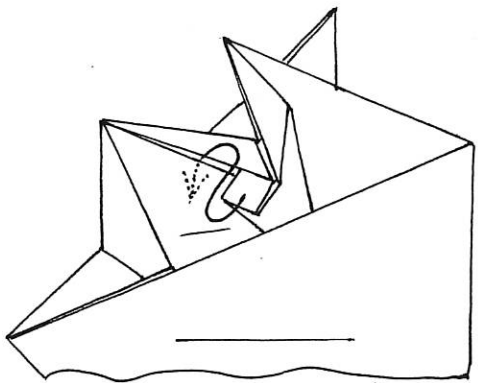
BRING THE COVERED FLAP TO THE FRONT

17



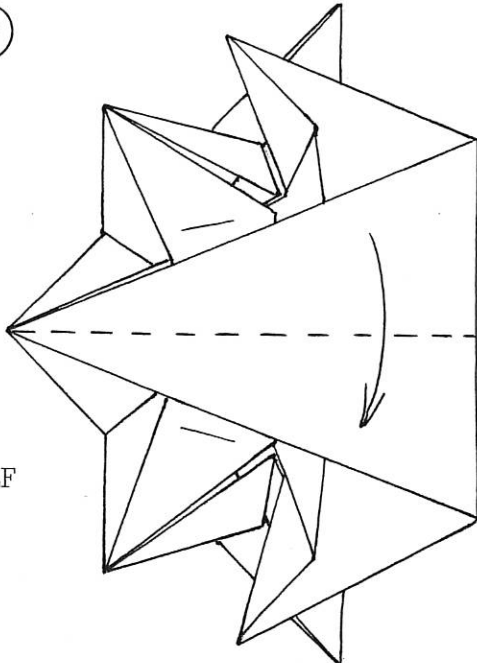
SIMILAR TO A PETAL FOLD

18



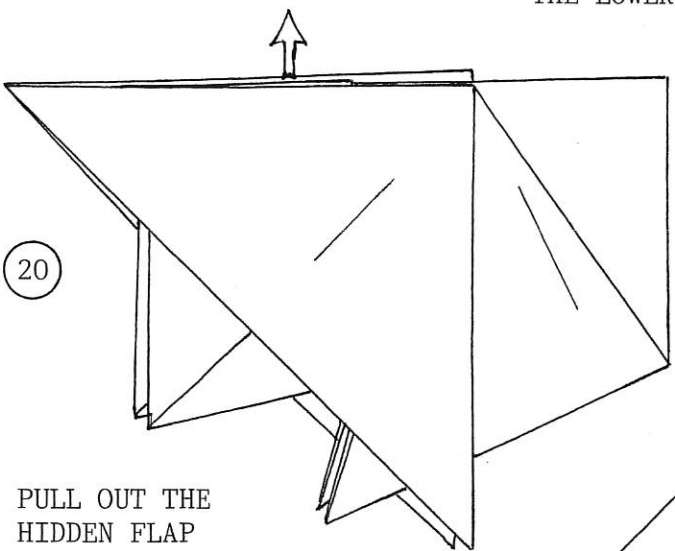
TUCK UNDER

19



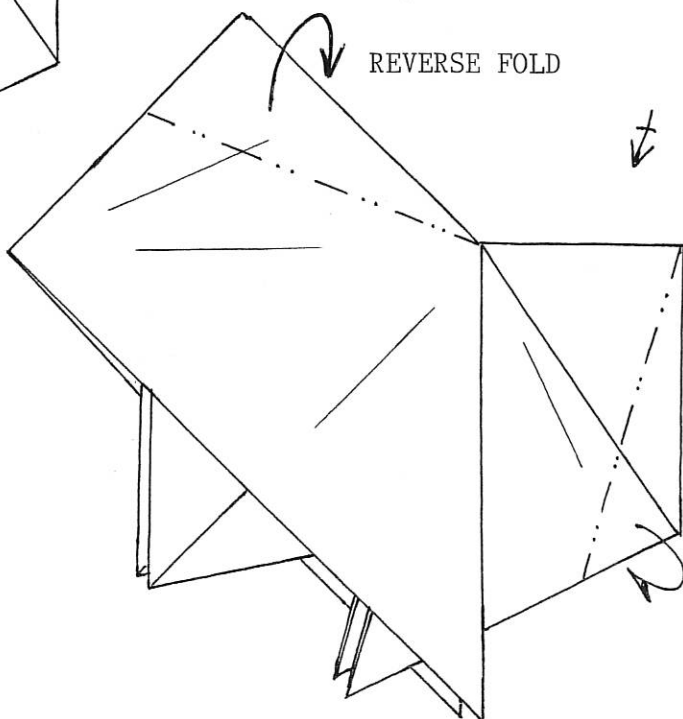
REPEAT STEPS 13 TO 18 ON THE LOWER HALF

20



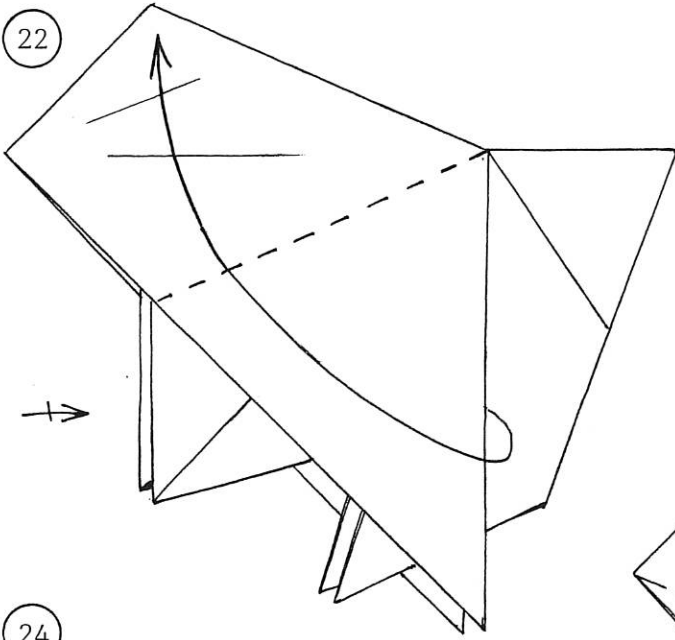
PULL OUT THE HIDDEN FLAP

21



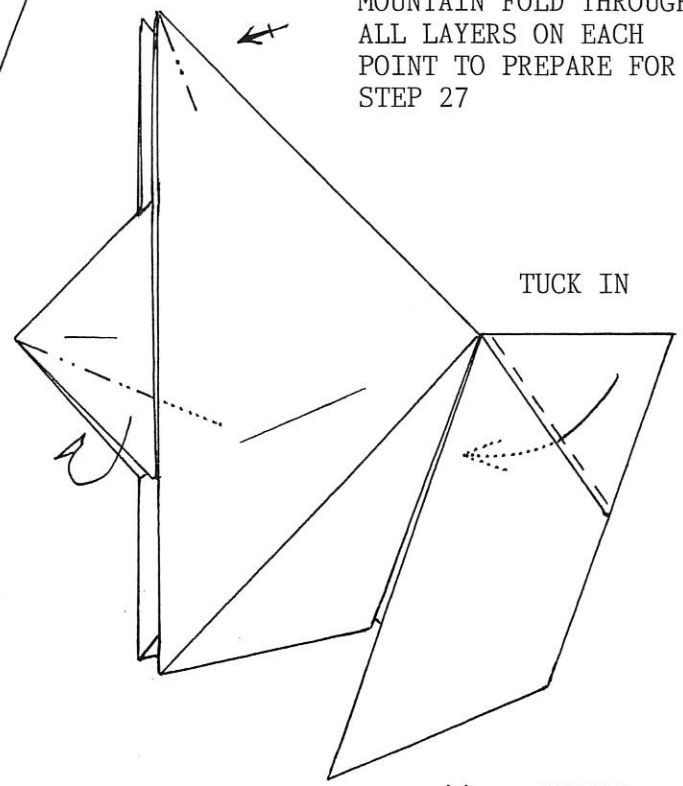
REVERSE FOLD

22

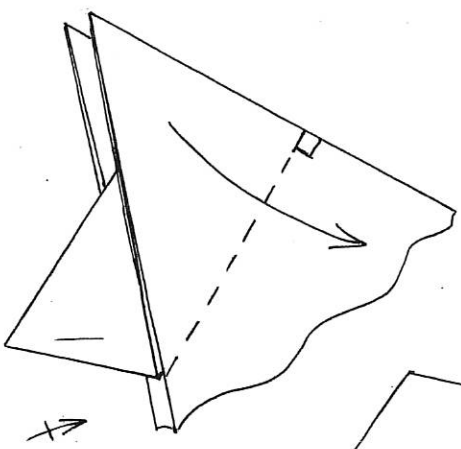


23

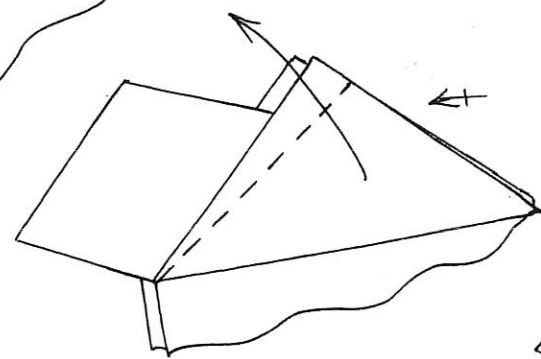
MAKE A SHORT
MOUNTAIN FOLD THROUGH
ALL LAYERS ON EACH
POINT TO PREPARE FOR
STEP 27



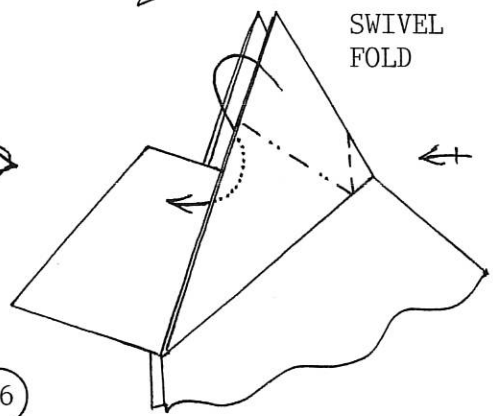
24



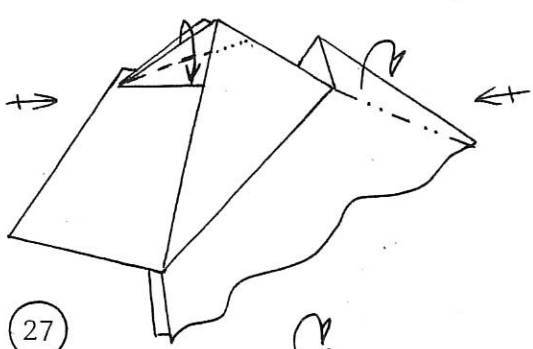
25



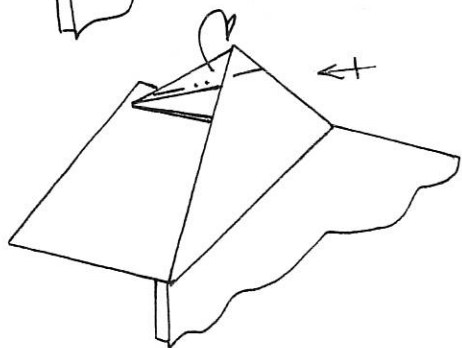
SWIVEL
FOLD



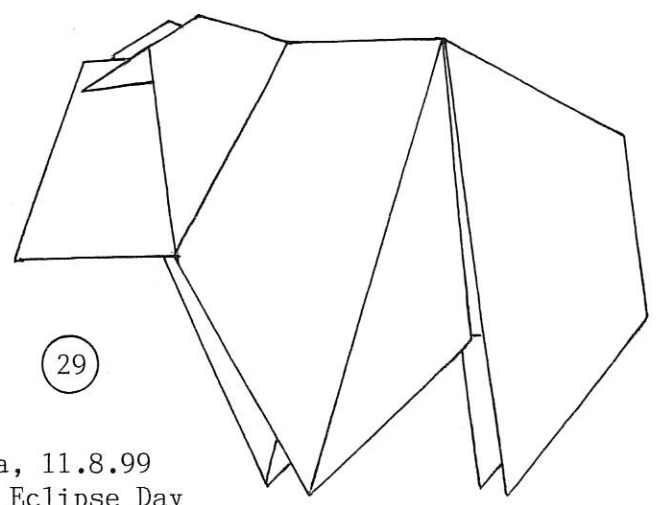
26



27



28



29

Geneva, 11.8.99
Solar Eclipse Day