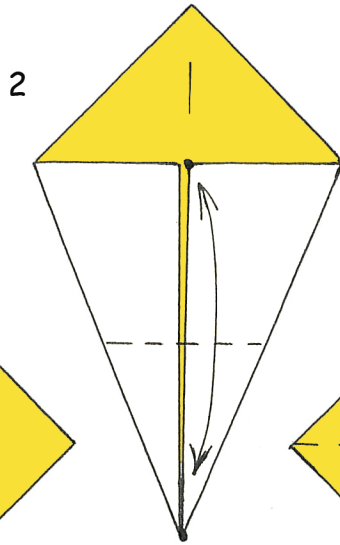
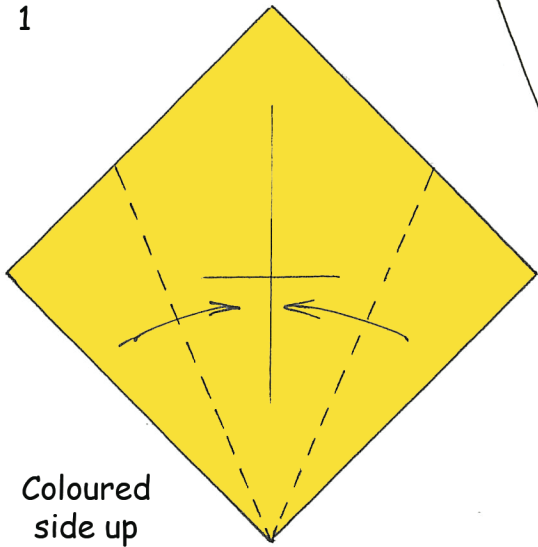
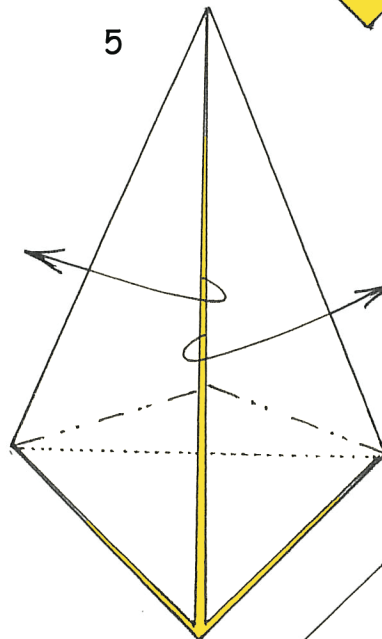
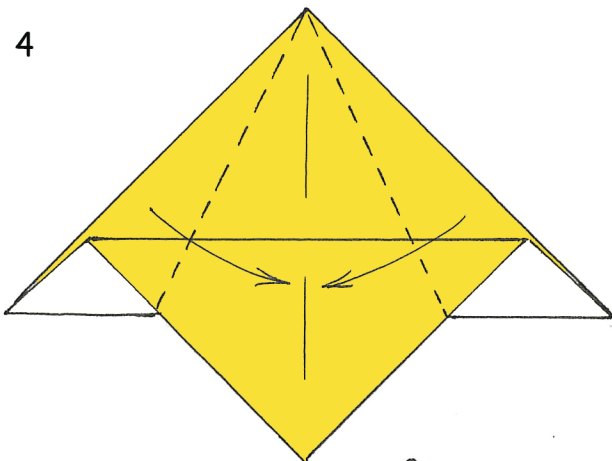
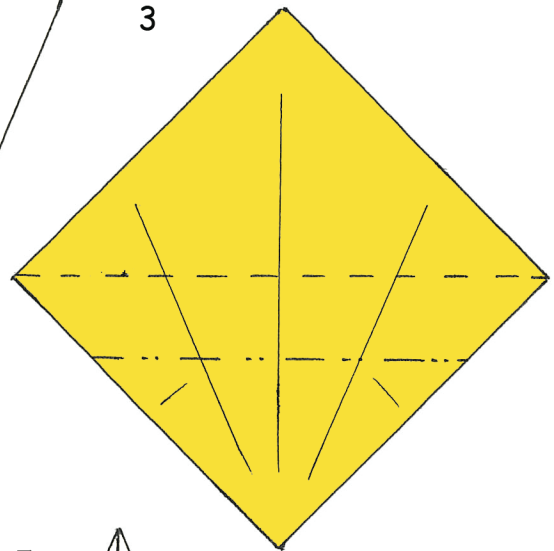


# EASTER CHICK

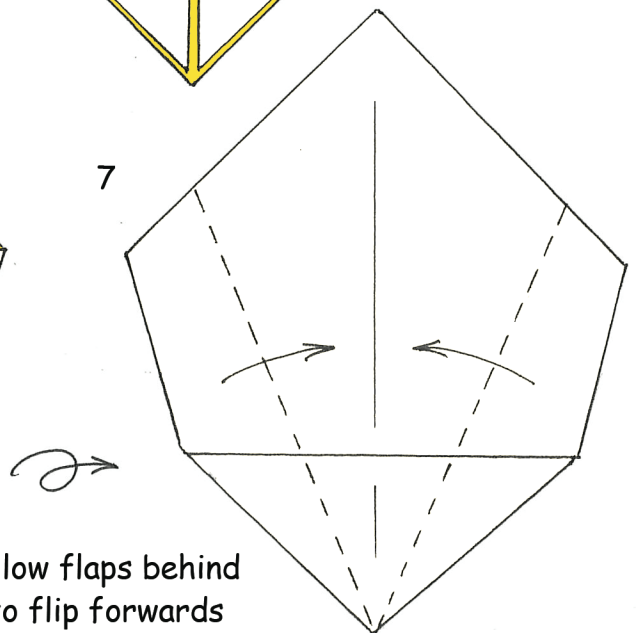
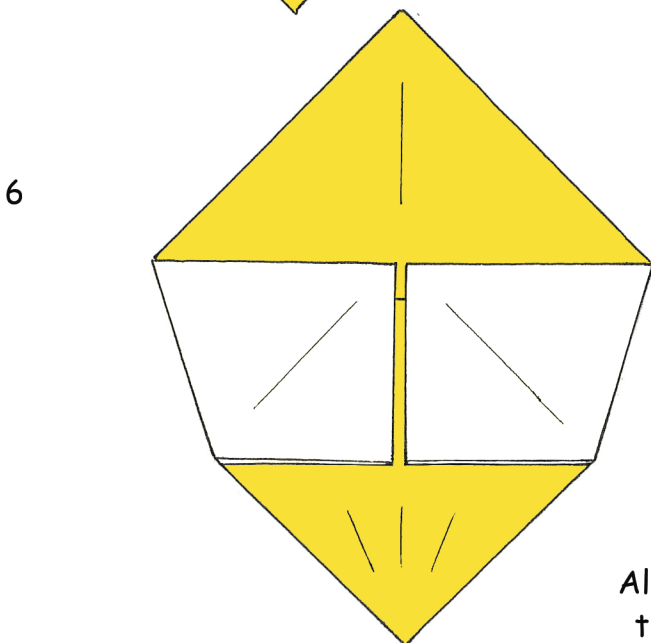
by Edwin Corrie



Precrease and unfold

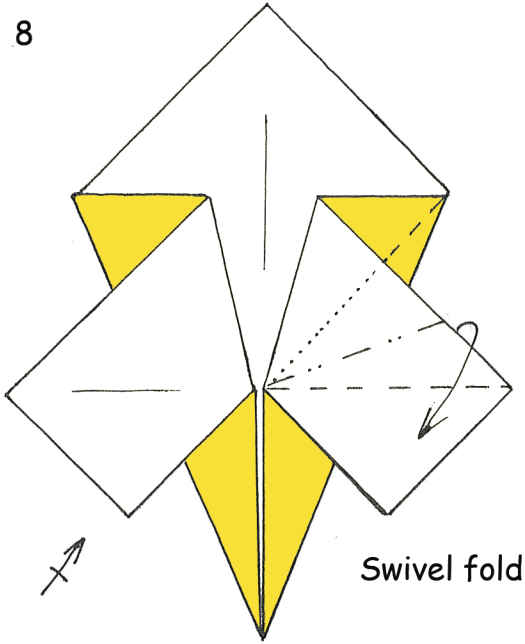


Open and squash

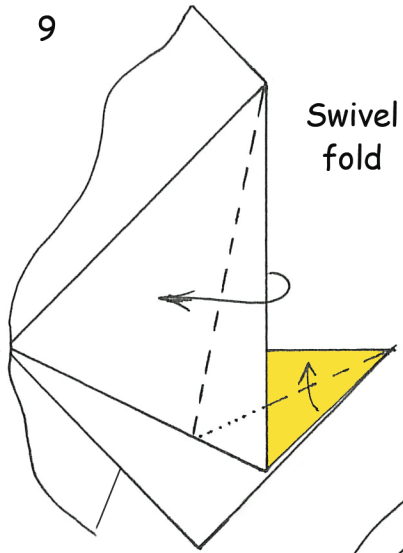


Allow flaps behind to flip forwards

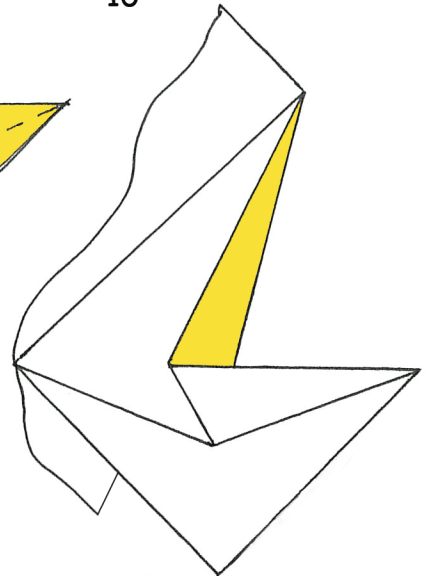
8



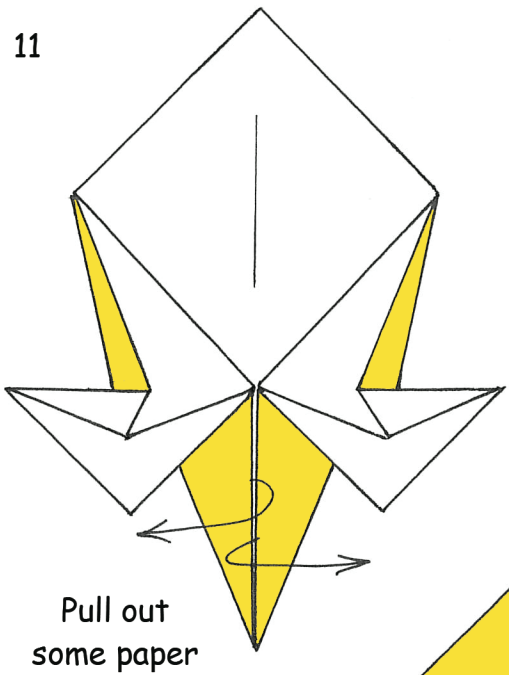
9



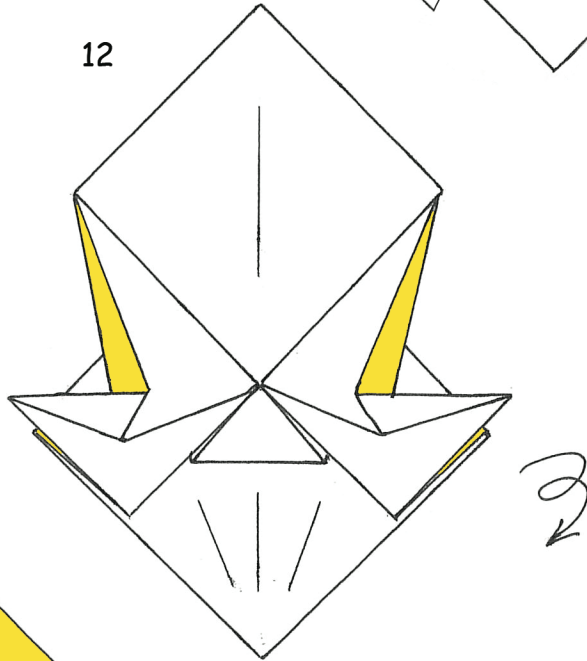
10



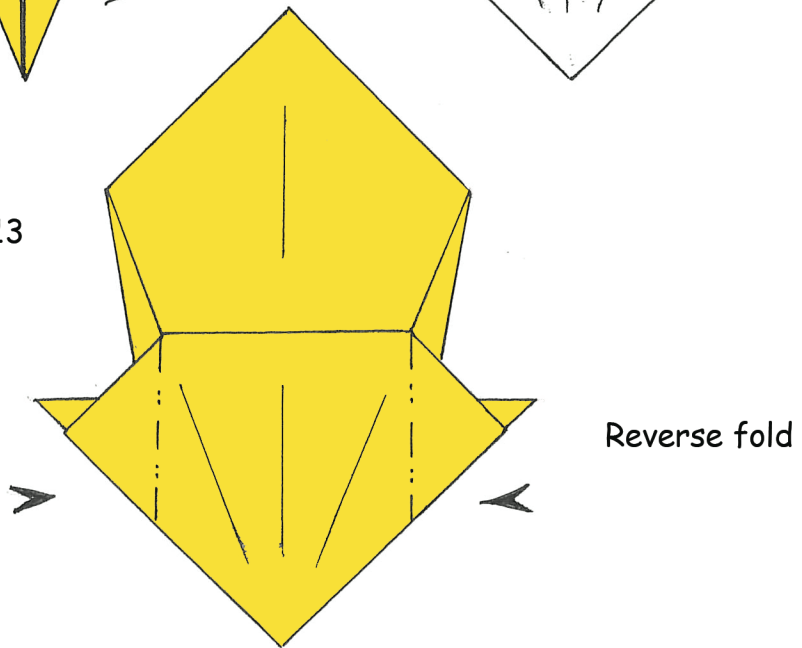
11



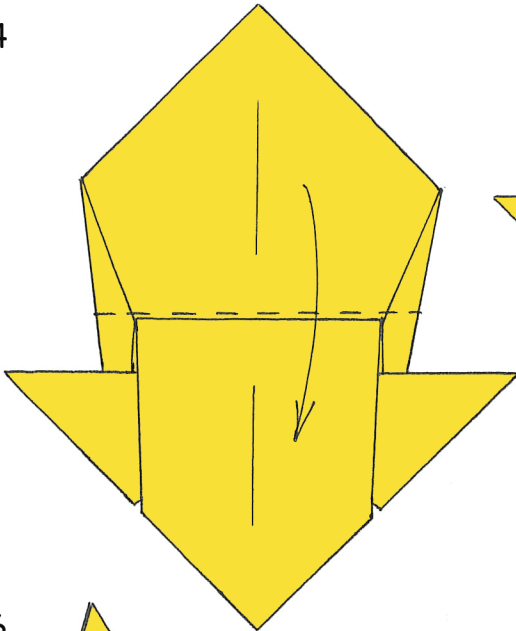
12



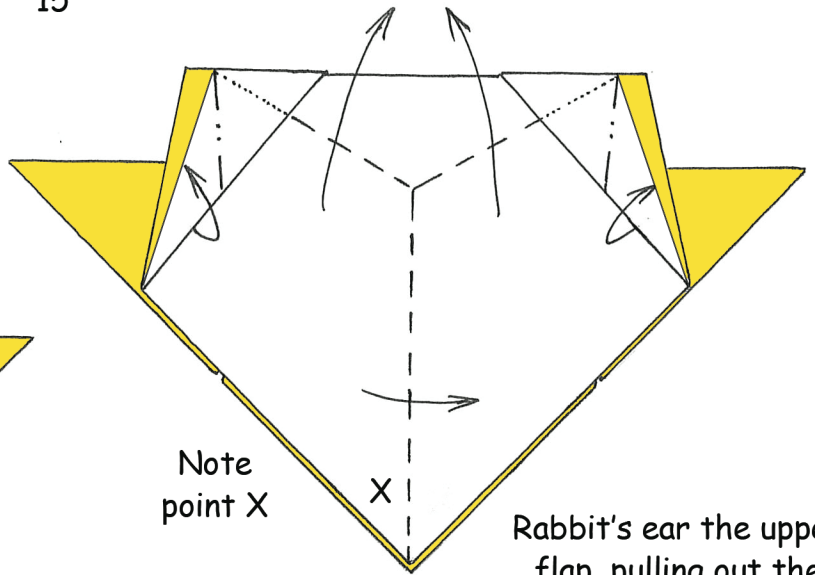
13



14



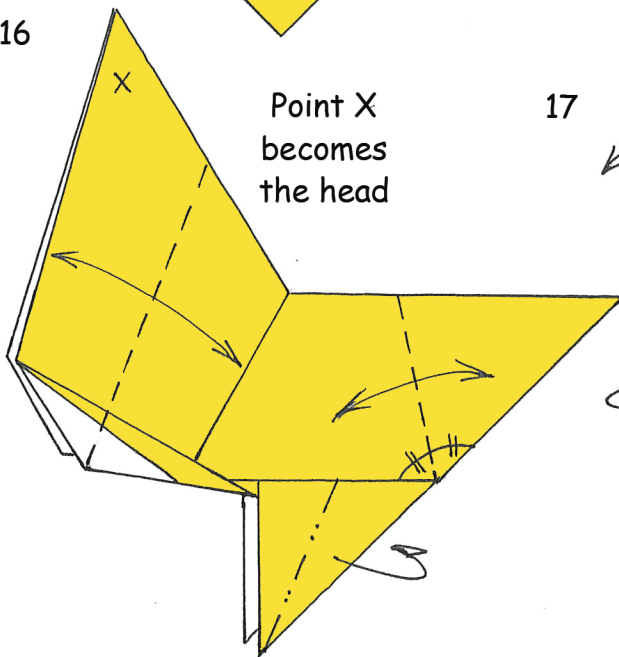
15



Note point X

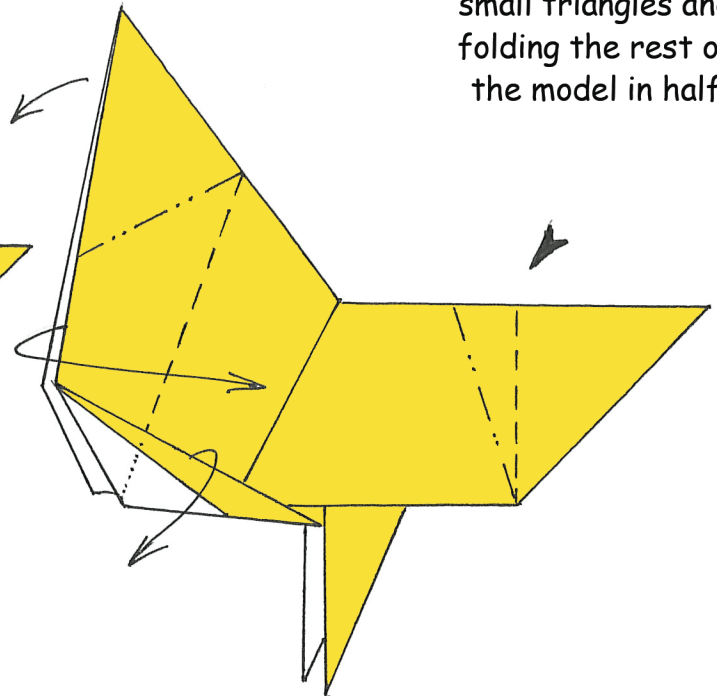
Rabbit's ear the upper flap, pulling out the small triangles and folding the rest of the model in half

16

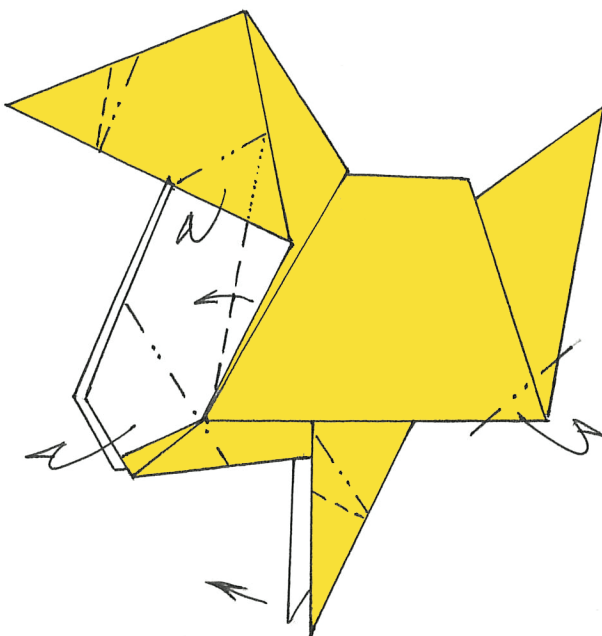


Point X becomes the head

17



18



19

