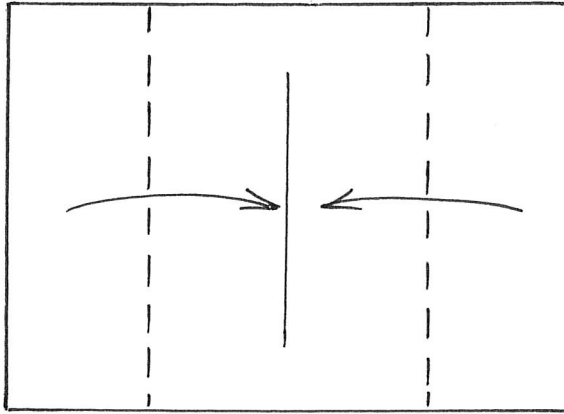


LOZENGE

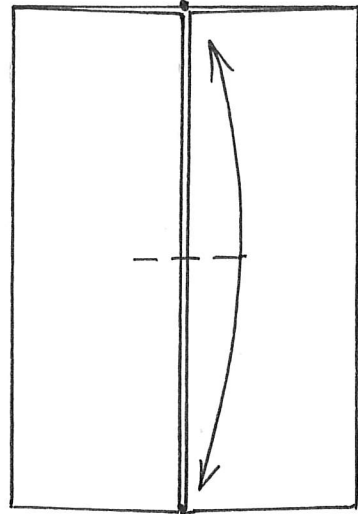
by Edwin Corrie

1

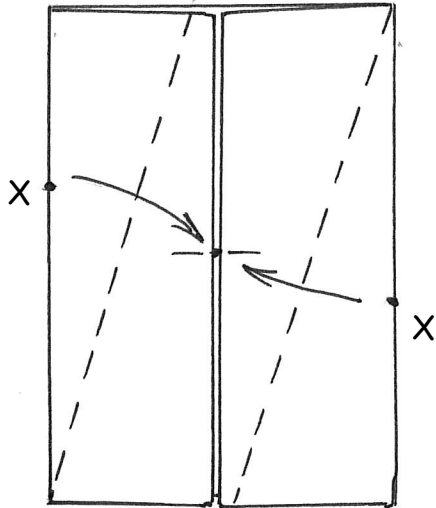


A4 rectangle

2

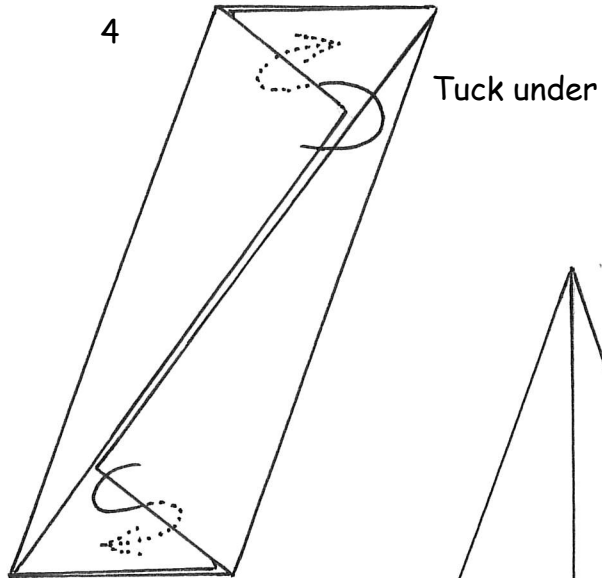


3



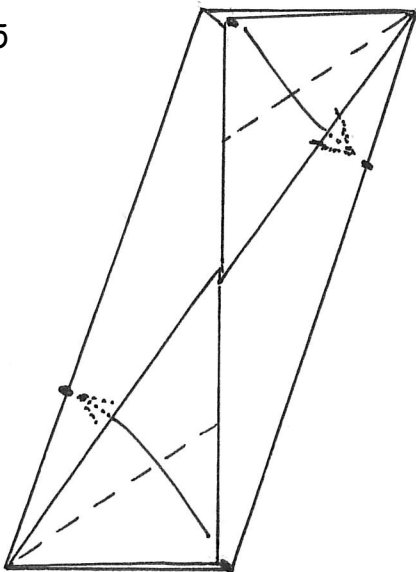
Fold points X to centre

4



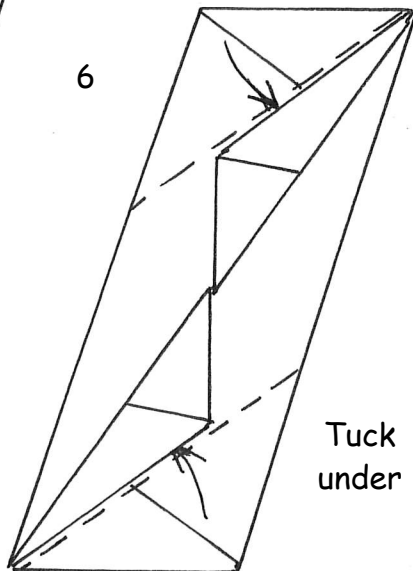
Tuck under

5



Tuck under

6



Tuck under

7

