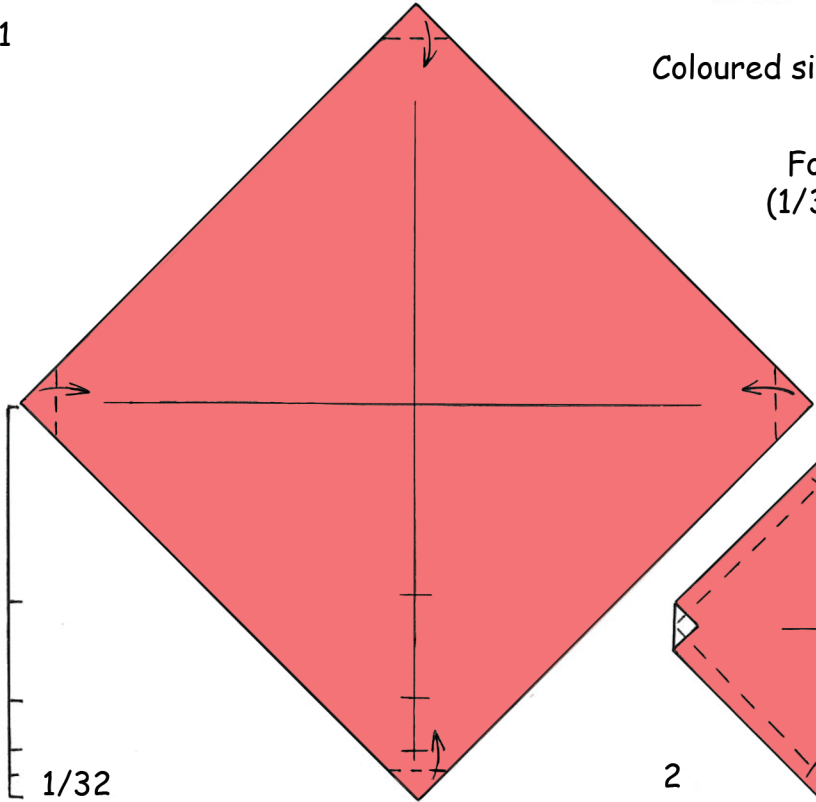


SANTA CLAUS

Edwin Corrie

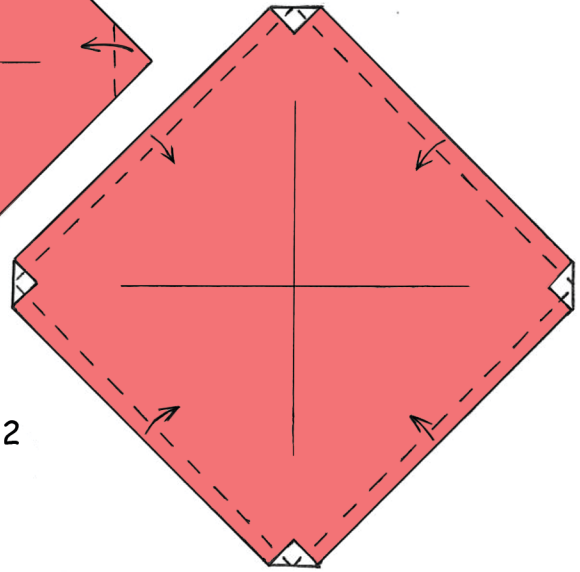
1



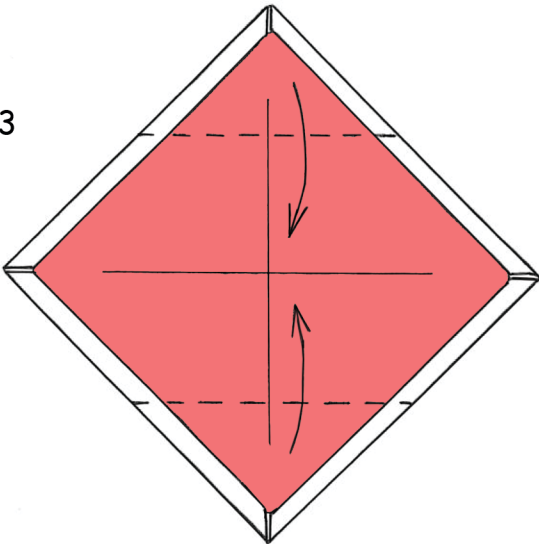
Coloured side up

Fold in the corners
(1/32 of the diagonal)

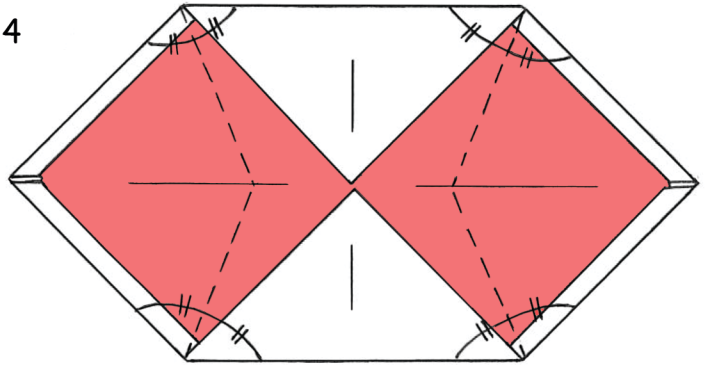
2



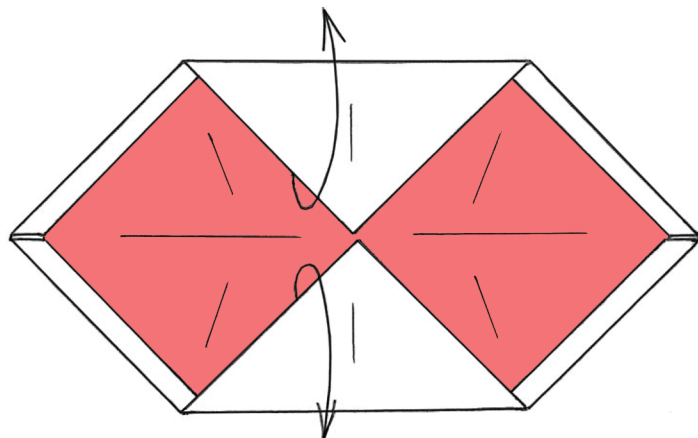
3

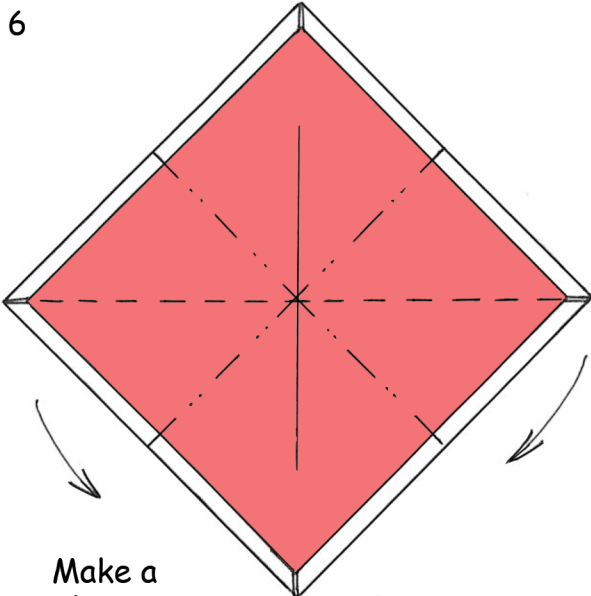


4

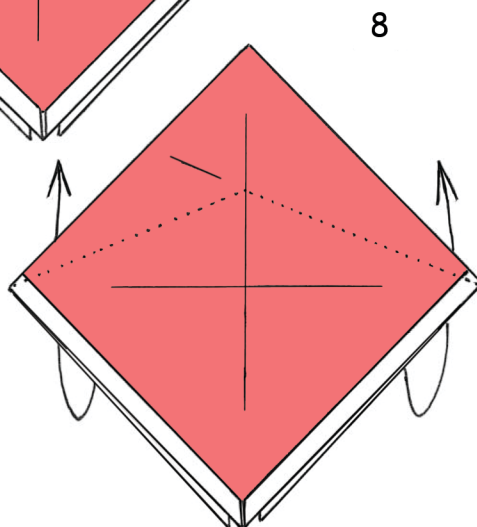
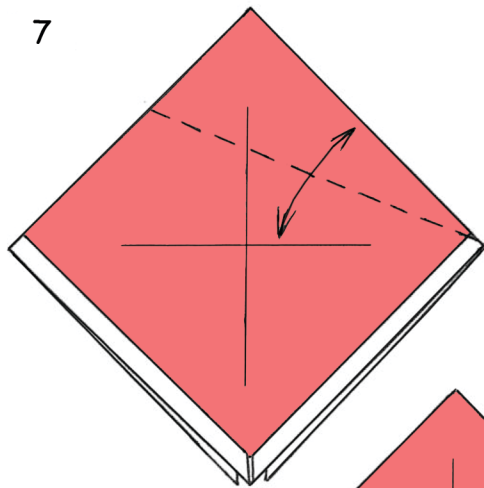


5

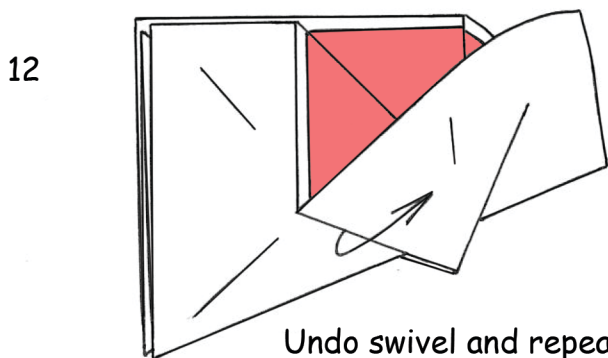
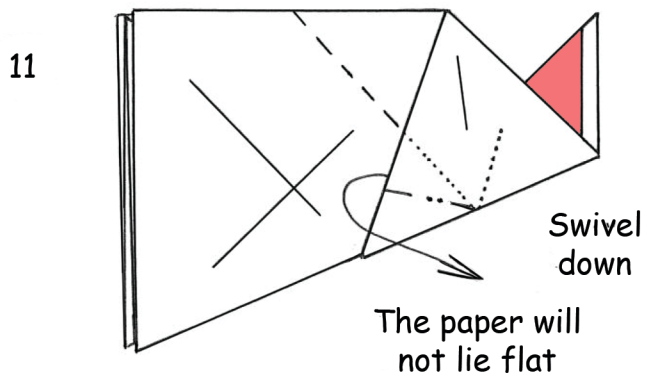
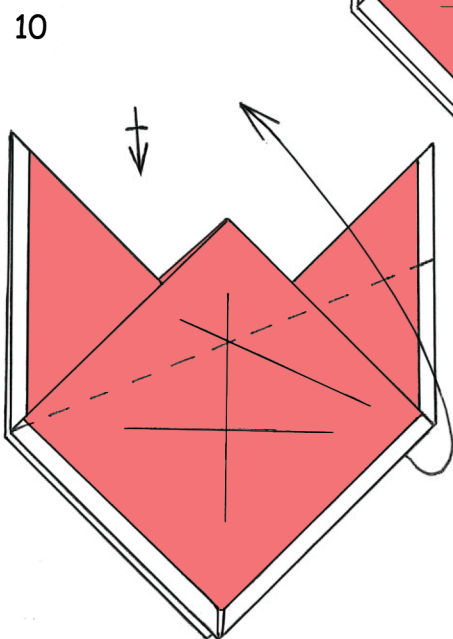
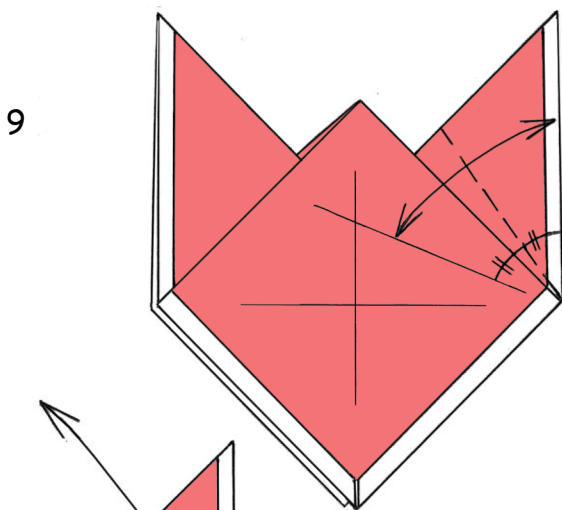




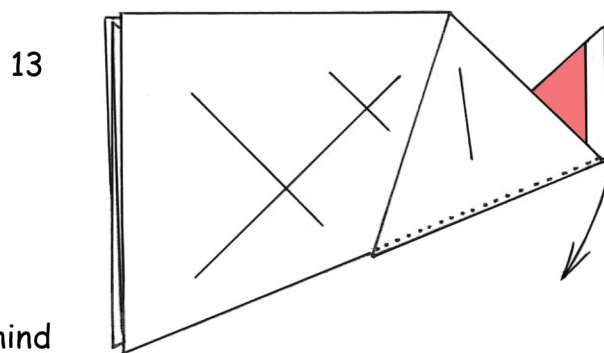
Make a Preliminary Base



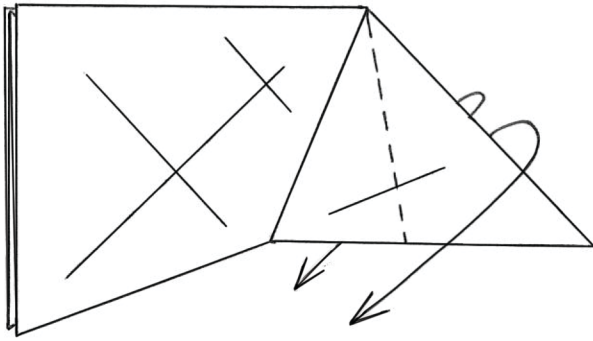
Reverse folds using the creases made in step 4



Undo swivel and repeat behind

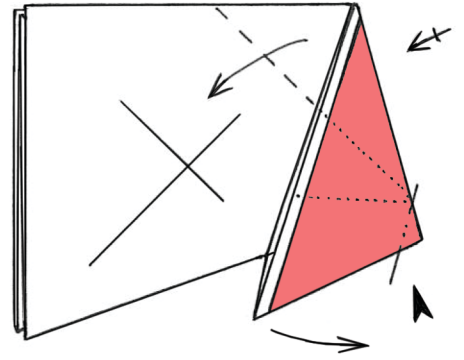


14



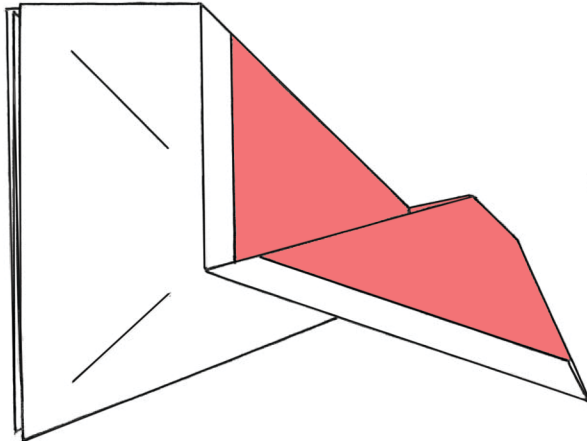
Outside reverse fold

15

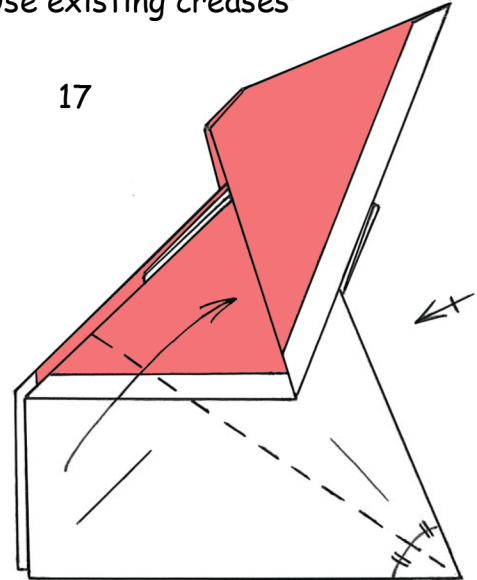


Use existing creases

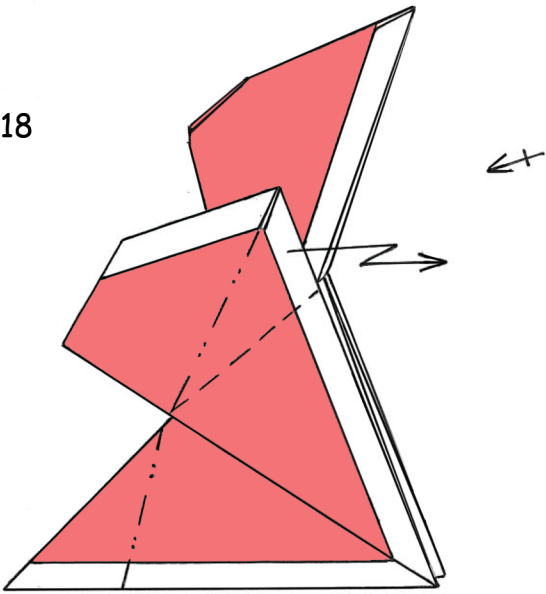
16



17

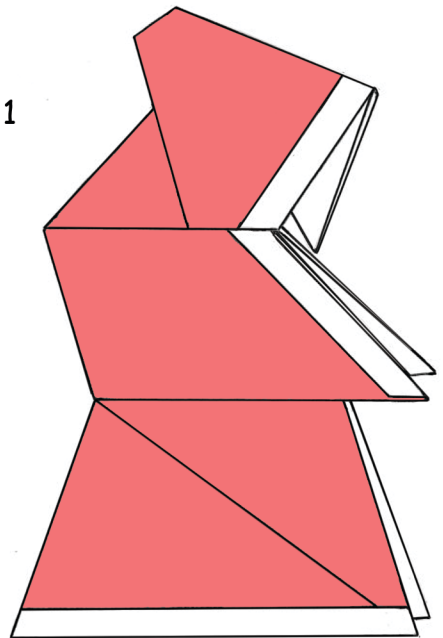


18

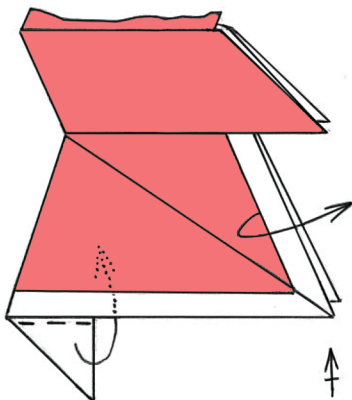


Reverse fold

21



19



20

